

For more information, contact Hillary Machinery at (877)902-3751 or <https://www.hillaryinc.com>

# **SUPER GV** SERIES

Heavy Duty Supersize CNC Turning Centers

[www.YAMASEIKI.com](http://www.YAMASEIKI.com)



For more information, contact Hillary Machinery at (877)902-3751 or [www.hillaryinc.com](http://www.hillaryinc.com)

For more information, contact Hillary Machinery at (877)902-3751 or <https://www.hillaryinc.com>

# GV

YAMA SEIKI VERTICAL TURNING CENTERS

**TRUSTWORTHY MACHINES GO BEYOND EXPECTATIONS**

With 40 years of trust and faith from each of our customers, you can now hold on to the present and future by experiencing YAMA SEIKI's latest state-of-the-art vertical turning center.

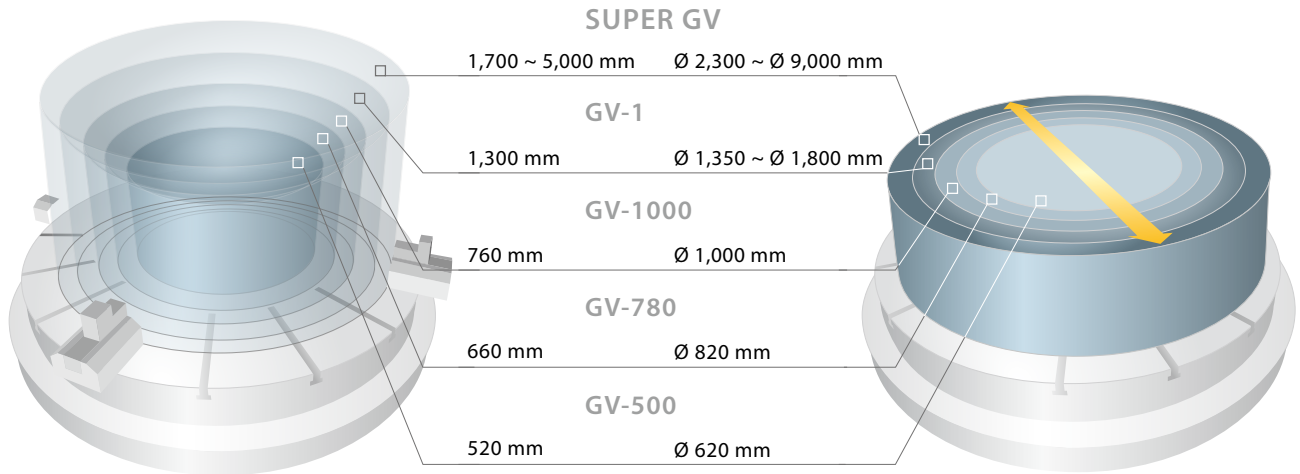
The all new SUPER GV series, gives you more than you can imagine.



For more information, contact Hillary Machinery at (877)902-3751 or [www.hillaryinc.com](http://www.hillaryinc.com)

### Max. Turning Height

### Max. Turning Diameter



# SUPER SIZED CNC VERTICAL TURNING CENTER

With leading technologies and high quality components, the SUPER GV CNC vertical turning center combines heavy-duty, high rigidity and super large machining range advantages to provide you with large sized, asymmetric work-piece turning capabilities. The optimal reinforced structure of these series can maintain long term precision even if the table diameter is reached up to 8,000 mm. Plus, with the optional dual ram or live tooling spindle and C-axis, all kinds of complex turning applications can be done easily, which can meet your needs for today and tomorrow.

## Super Large Turning Range

Maximum turning diameter can reach up to  $\varnothing$  9,000 mm ; maximum work-piece weight can reach up to 300,000 Kg ( GV-8000 series ).

## High Rigidity Structure

The bed, column and bridge casting components are of Meehanite casting with a symmetric structure design, which ensures optimal thermal balance and heavy-duty rigidity.

## Powerful High Torque Motors

The work-piece and live tooling spindles uses a high power 2-speed heavy-duty gear box motor to provide ample torque output for heavy-duty cutting applications.

## High Efficiency Chip Removal System

The standard chip wash down coolant system can flush away great amount of chips into the coolant tank, and are sent outside from the machine through the chip conveyor; this tremendously improves the machine's overall accuracy by lowering thermal expansion effects to a minimum.

## Turning, Milling And Grinding Multi-Tasking Capability

The optional live tooling spindle provides turning, milling, grinding, drilling, and tapping capabilities, which greatly increases production efficiency while saving equipment investment costs.



( GV-2500M model shown. )

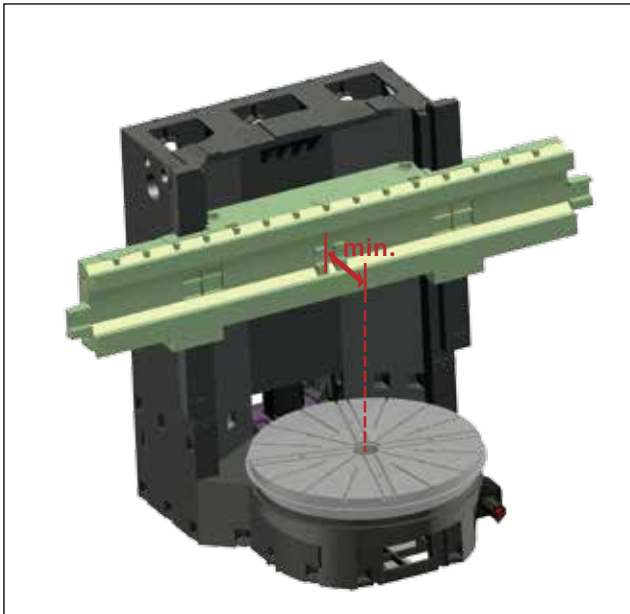


## HIGH RIGIDITY CONSTRUCTION

- By using Finite Element Methods ( FEM ), optimal reinforce ribbings are directly cast into the bed and column structure. Mechanical rigidity has been increased by more than 30% when compared to conventional designs. The SUPER GV series is capable of performing super heavy-duty turning and maintain long-term super high-precision accuracy.
- The heavily ribbed, symmetric box-type designed bed, column and cross beam are of Meehanite casting. This high rigidity structure can effectively reduce thermal distortion while increasing heavy-duty cutting capability and maintaining machining accuracy.

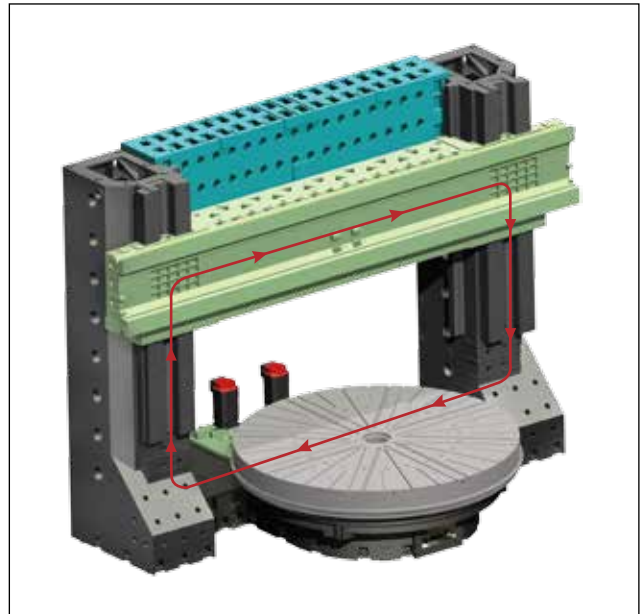


( Casting structure of GV-2500M model shown. )



■ **One-piece Column & Bridge Structure**  
( GV-2000 ~ GV-2500 )

The one-piece column & bridge is firmly mounted on top of the bed, which ensures machine overall rigidity and minimizes spindle over hang to provide optimal machining accuracy.



■ **Bridge Type Structure**  
( GV-3000 ~ GV-8000 )

The super rigid construction of the base and bed, double column, and cross beam, can easily fulfill heavy load and cutting requirements.



Super large box way and components are of one-piece casting; they are applied with heat treatment and precision grinded to provide maximum strength and accuracy.



Contact surfaces of all slides, spindles, ball screw bearing housings, bed and column are precision hand scraped to provide maximum assembly precision, structural rigidity, and load distribution.

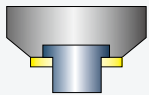


The optional high resolution close-loop linear scale ensure optimal positioning and repeatability accuracy.

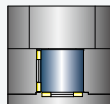


# TOOLING SPINDLE

- The square ram on the tooling spindle is adopted with a closed-type design and fixed with powerful wedges. This gives the SUPER GV series with greater structural rigidity and machining accuracy compared to peer models with a semi-closed type square ram structure.



Semi-closed Type Square Ram



Closed-type Square Ram



## Ram Dimension

Unit : mm

Model	GV-2000	GV-2500	GV-3000	GV-3500	GV-4000
A	220	250	300 / 350 ( OPT. )		

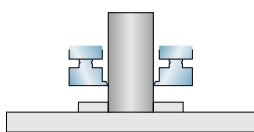
Model	GV-5000	GV-6000	GV-7000	GV-8000
A	350 / 400 ( OPT. )			

## Dual Ram Structure

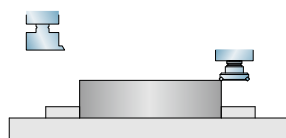
- With the optional dual ram structure, multiple machining applications ( such as rough turning / fine turning or drilling / tapping / milling ) can be operated at the same time; one machine can replace two vertical turning centers which saves tool change time and increases floor space usage.



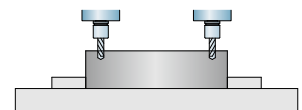
## Diversed Machining Mode



**Dual Simultaneous Turning**  
Increases machining efficiency



**Optional Single Live Tooling Spindle**  
Reduces tool change time



**Optional Double Live Tooling Spindle**  
Reduces tool change time

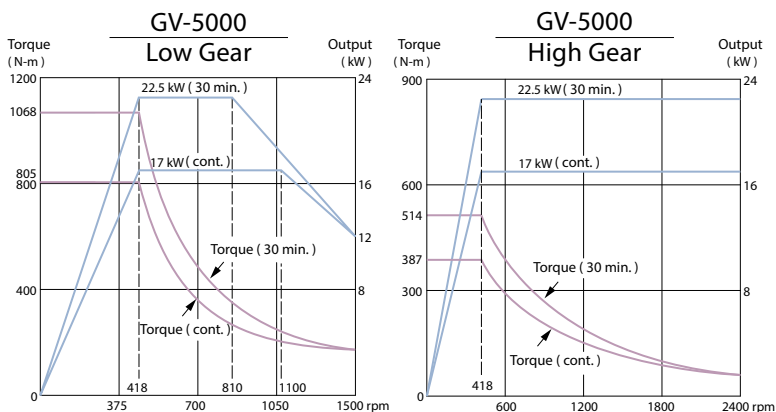
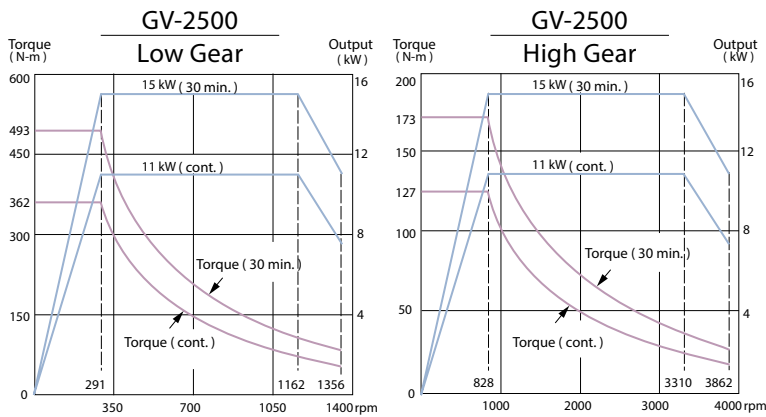


## Live Tooling Spindle

- The live tooling spindle uses JAPAN made NN Type roller bearings to provide high rigidity, high precision, and long life span advantages.
- The high reduction ratio 2-speed gear box uses high hardness Nickel-Chromium-Molybdenum alloy with forced oil-feed for lubrication and coolant; the gear box can maintain normal operation and low wear even under long hours of low-speed, high-torque working conditions.

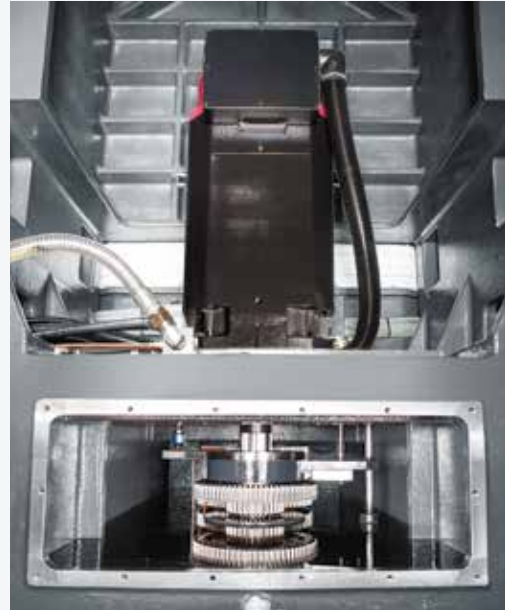


## Live Tooling Spindle Output



# WORK-PIECE SPINDLE

- The work-piece spindle uses high power 2-speed gear box motor which provides 74,140 N-m torque output under low speed ( GV-2500 ); various large sized work-pieces can be overcome easily.
- The high reduction ratio 2-speed gear box uses high hardness Nickel-Chromium-Molybdenum alloy with forced oil-feed for lubrication and coolant; the gear box can maintain optimal performance with long life span.



## Bearing Configuration

Model	GV-2000	GV-2500	GV-3000	GV-3500	GV-4000	GV-5000	GV-6000	GV-7000	GV-8000
Cross Roller Bearings	S	S	S	S	S	—	—	—	—
Hydrostatic Bearings	—	—	O	O	O	S	S	S	S

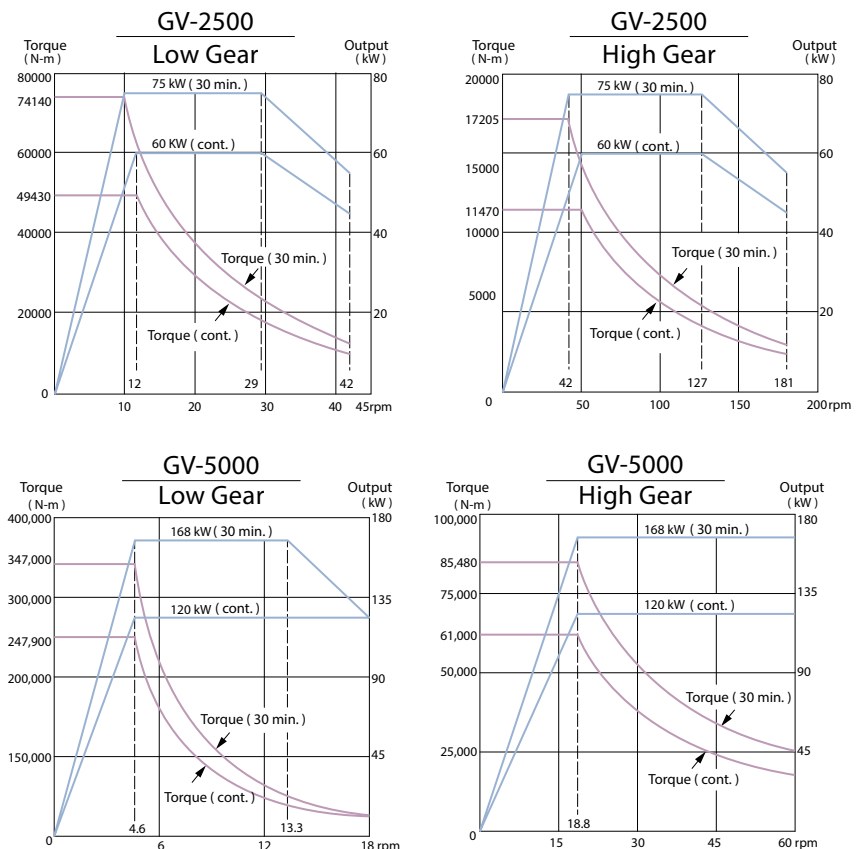
S : Standard    O : Option    — : Not available

## Cross Roller Bearings

- The high rigidity high precision cross roller bearings can sustain high radial, axial and torque load, which greatly reduces deformation and thermal errors while increasing the rotary table's rotational accuracy and load capacity when working on heavy work-pieces.



## Work-Piece Spindle Output

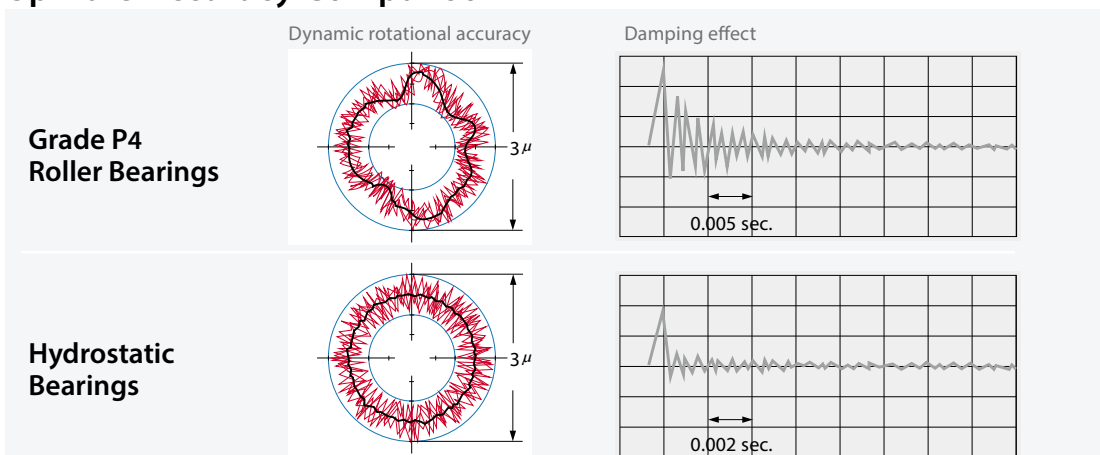


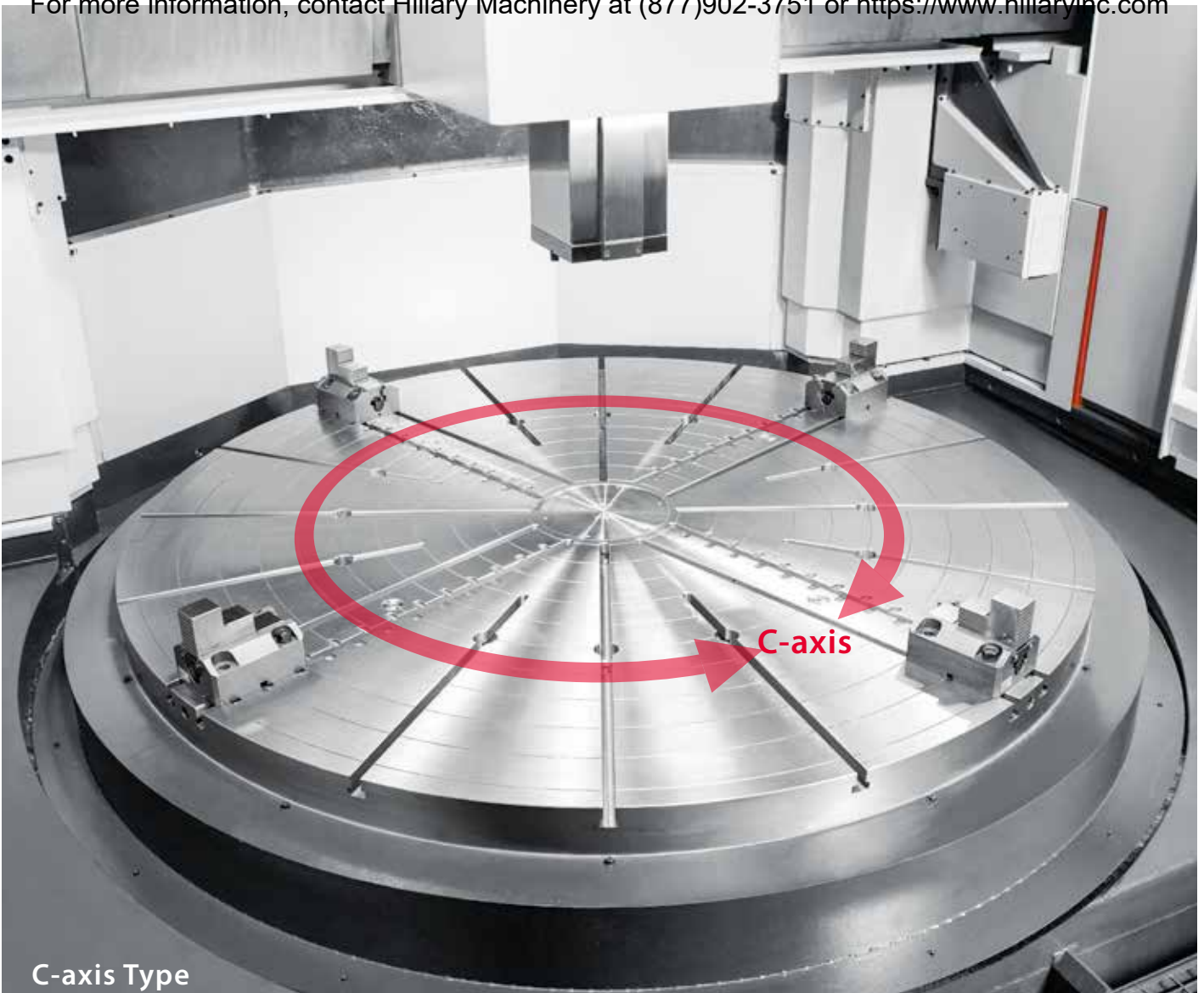


## Hydrostatic Bearings

- The high rigidity hydrostatic bearings provide absolute zero static friction coefficient and low kinetic friction coefficient which can easily drive the rotary table without needing high torque output. Plus the stick-slip effect is eliminated under low speed which provides stable and smooth rotating movement while maintaining maximum dynamic accuracy.
- The hydrostatic bearings provides great damping in vertical movement and low damping in horizontal movement. The oil film damper provides outstanding dynamic rigidity.

### Spindle Accuracy Comparison

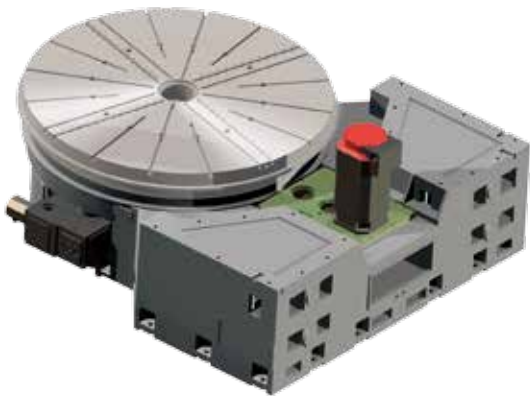




C-axis Type

Model	GV-2000	GV-2500	GV-3000	GV-3500	GV-4000	GV-5000	GV-6000	GV-7000	GV-8000
Type	Cf	Cf	Cs	Cs	Cs	Cs	Cs	Cs	Cs

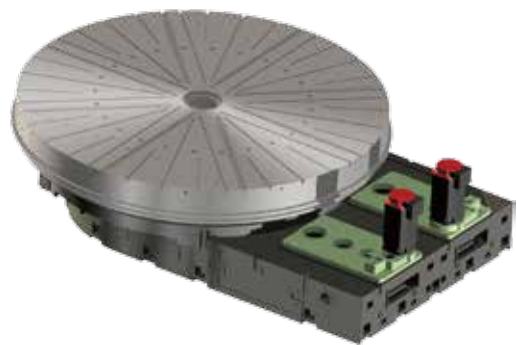
## HIGH RIGIDITY C-axis



### Cf-axis

The Cf-axis and disk brake system provides the most rigid and powerful type of C-axis in the market today. The surface accuracy and dynamic accuracy can be maintained under heavy duty cutting conditions.

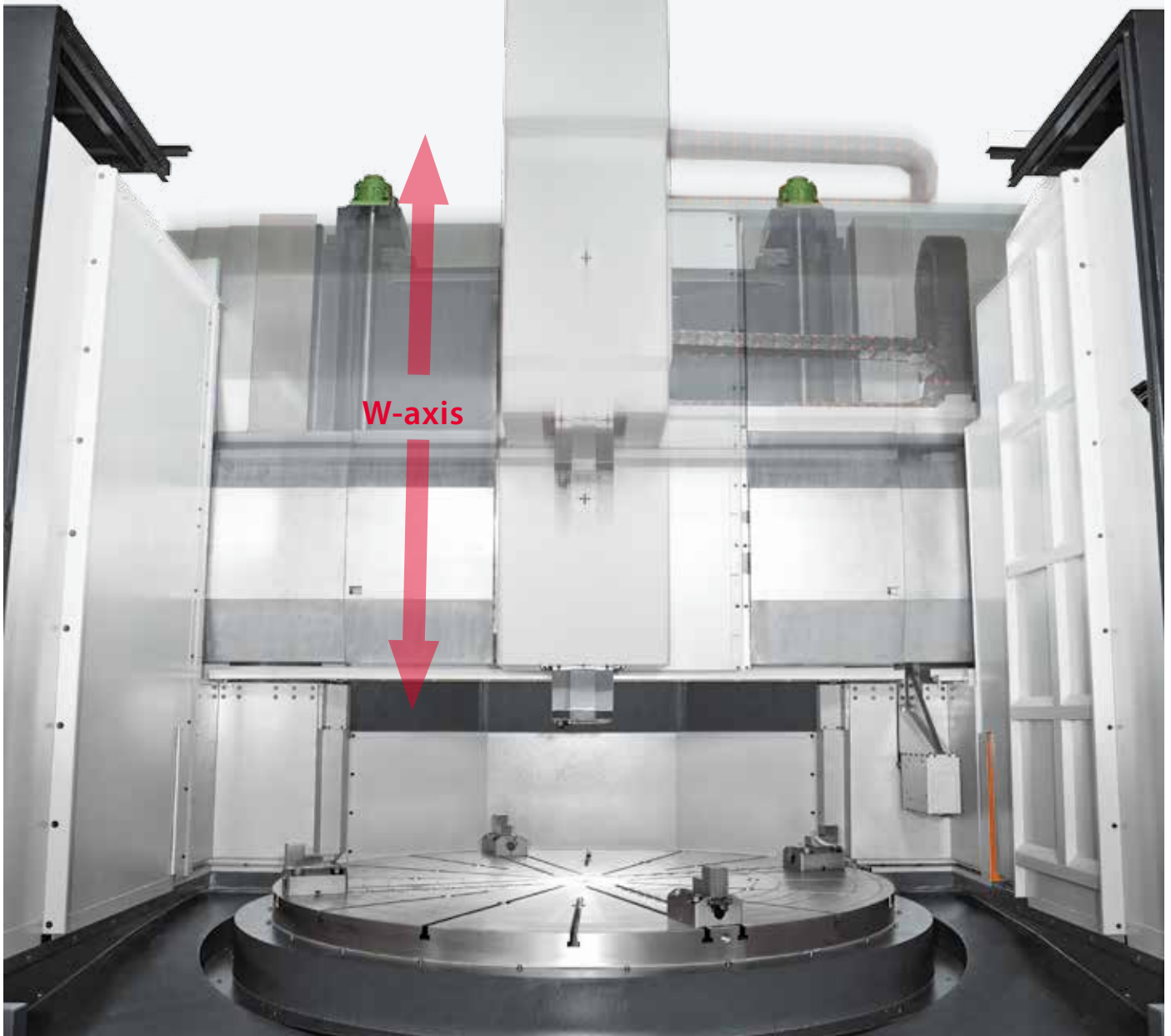
For more information, contact Hillary Machinery at (877)902-3751 or [www.hillaryinc.com](http://www.hillaryinc.com)



### Cs-axis

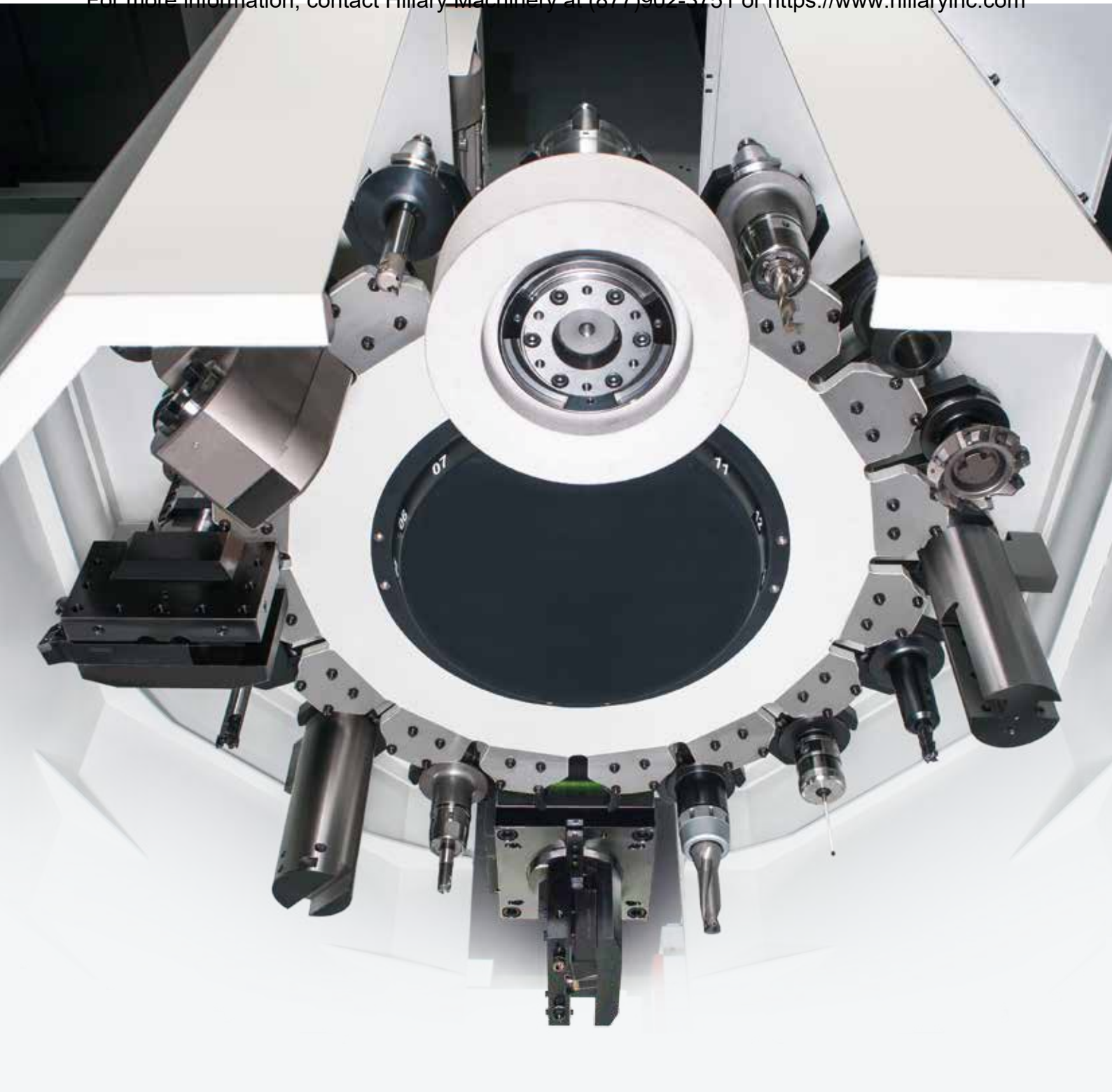
The Cs-axis is driven by double spindle motors which eliminates gear backlash while providing double torque output. The repeatability can reach up to  $\pm 5''$  and positioning accuracy can reach up to  $\pm 0.0005''$  under normal working conditions.

For more information, contact Hillary Machinery at (877)902-3751 or [www.hillaryinc.com](http://www.hillaryinc.com)



## MOVING CROSS RAIL STRUCTURE

- The moving cross rail structure is installed with a set of symmetric ball screws which is driven by servo motors to provide high precision and heavy load axial feed capability.
- The structure uses two sets of live locking bolts to support the cross beam. After precision positioning, the bolts will be locked by a hydraulic clamping force to ensure the overall rigidity.
- The space between each step of the positioning mechanism is 200 mm which can easily fulfill various types of machining requirements.



## ATC SYSTEM

- Standard 16T umbrella type magazine is designed with cam movement mechanism which provides bi-directional tool selection, low noise and accurate positioning advantages.
- The optional 24T umbrella type magazine provides ample amount of tools which can easily fulfill complex work-pieces machining applications.

# STANDARD & OPTIONAL FEATURES

S : Standard      O : Option  
 - : Not available    C : Contact YAMA SEIKI

WORK-PIECE SPINDLE		SUPER GV
Main spindle		S
Rigid tapping		S
C-axis		O
Disk brake for C-axis		O
Lubrication system		S
WORK-PIECE HOLDING		
4-jaw manual table		S
TOOLING SPINDLE		
BT50		S
BT60 ( GV-3000 and above )		O
Spindle coolant		O
Coolant through spindle ( CTS )		S
Milling functions		O
Gear box lubrication system		O
Umbrella type ATC system	16 T	S
	24 T	O
Chain type ATC magazine ( milling functions )	24 T	C
	32 T	C
MEASUREMENT		
Tool presetter		O
Part presence check		O
X & Z axes linear scales		O
COOLANT		
Coolant pump	5 Kg/cm <sup>2</sup>	S
High-pressure coolant system	20 Kg/cm <sup>2</sup>	O
Oil skimmer		O
Coolant flow switch		O
Coolant level switch		O
Coolant intercooler system		O
Paper Tape Filter		O
CHIP DISPOSAL		
Chip conveyor with auto timer		O
Chip cart		O
Coolant gun		O
Air gun		O
SAFETY		
Fully enclosed splash guard without roof		S
Fully enclosed splash guard with roof		O
Door interlock ( incl. Mechanical lock )		S
Impact resistant viewing window		S
Low hydraulic pressure detection switch		S
Over travel ( soft limit )		S
Load monitoring function		S
OTHERS		
Tri-color operation status signal light tower		S
Florescent work light		S
Electrical cabinet	Heat exchanger	S
	A/C cooling system	O
Complete hydraulic system		S
Advanced auto lubrication system		S
Emergency maintenance electrical part package		S
Operation & maintenance manuals		S

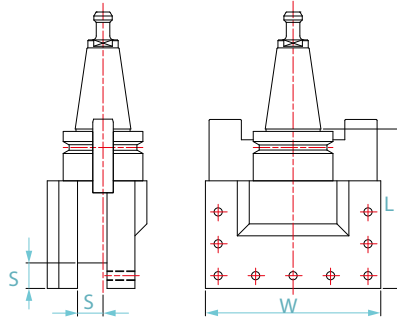
SIEMENS CONTROL FUNCTIONS		840D-SI	
SYSTEM CONFIGURATION	CNC User Memory	3M	S
		9M	O
		15M	O
AXIS FUNCTION	10.4" LCD display		S
	Separate feed for corners & chamfers		S
SPINDLE FUNCTION	Oriented spindle stop		S
	Constant cutting speed		S
	Constant thread pitch cutting		S
	Variable thread pitch cutting		S
	Multiple thread cutting		S
	Rigid tapping		S
INTERPOLATION / COUPLING	3D Circular interpolation		S
	Helical interpolation ( 2D+2 )		S
	NURBS interpolation		S
	Polynomial interpolation		O
	Involute interpolation		O
	Machining on end face		O
HSC	Look ahead block	150	S
		250	O
		500	O
OPERATION MODE	Metric / Inch switchover ( JOG Mode )		S
	Global program variables		S
CNC PROGRAMMING LANGUAGE	Global / local user variables		S
	Macro technique		S
	Part programs in NCU, max	1,000	S
	Work-pieces on NCU, max	250	S
	Part programs on CF card ( PCU50 )		S
	Part programs on USB device		S
	Part programs on network dirve		S
	Read / Write system variables		S
PROGRAMMING SUPPORT	Animate cycle support ( program GUIDE )		S
	Animate machining step support ( Shop Turn )		S
	Customer cycles dialog support		S
	Geometry processor for contour		S
	Basic Drill / Mill technology cycles		S
	Basic Truning technology cycles		S
	Free contour pocketing ( with island )		S
	DXF contour conveter ( CAD Reader )		O
	2D simulation ( finished part )		S
	3D simulation 1 ( finished part )		O
WORK OFFSET	Number of basic frames , max	16	S
	Number of settable frames ( G54~ )	100	S
	Zero / work offsets, programmable		S
TOOL	Operaton with tool management		S
	Monitor of tool life and part count		S
	3D tool radius compensation		S
	Fast Ethernet Ports		S
COMMUNICATIONS	Network drives, FTP , max	8	S
	External PROFINET network		S
	Remote control system ( local network )		S
	Remote control system ( internet )		O
	Auto servo turning		S
SPECIAL FUNCTIONS	Remote Diagnose via Ethernet		S



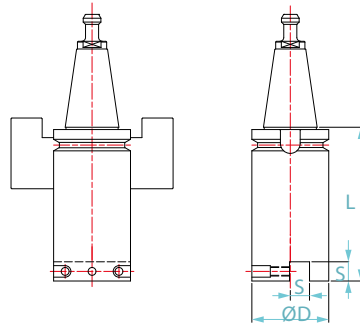
# GENERAL DIMENSION

Unit : mm

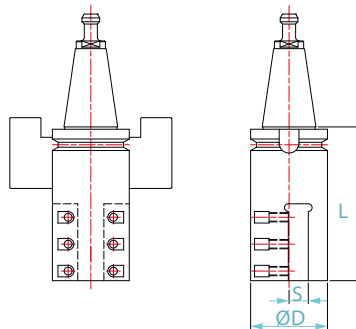
## Turning Tool Holder



Taper	W	L	S
BT50	220	200	32
BT50	220	210	40
BT50	250	200	32
BT50	250	210	40
BT50	270	200	32
BT50	270	210	40
BT60	340	250	32
BT60	340	260	40



Taper	L	S	D
BT50	200	25	100
BT50	300	25	100
BT60	200	25	140
BT60	300	25	140



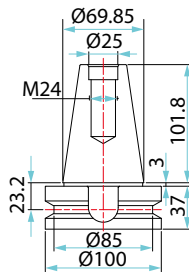
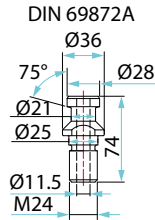
Taper	L	S	D
BT50	200	25	100
BT50	300	25	100
BT60	200	25	140
BT60	300	25	140



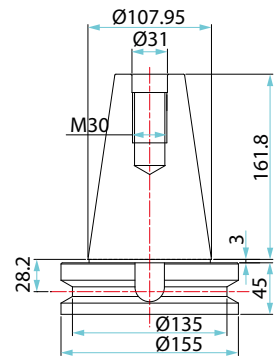
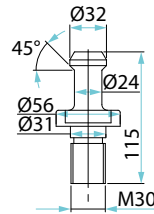
Unit : mm

**Milling Tool Holder**

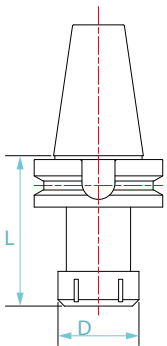
**BT50**



**BT60**

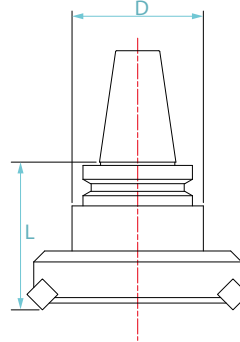


Tool Shank ( Optional )



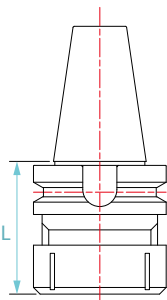
**Tapping Tool Holders**

Taper	L	D	Tapping Range
BT50-TER16	80	28	M3-M12
BT50-TER40	117	63	M12-M35
BT60-TER16	83	28	M3-M12
BT60-TER40	126	63	M12-M35



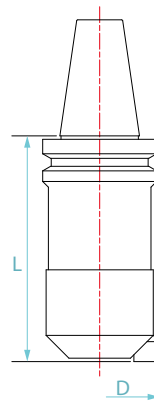
**Face Milling Tool Holders**

Taper	L	D	Cutter Dia.
BT50-FMA25.4-105	125	85	80
BT50-FMA31.75-105	127	85	100
BT50-FMA38.1-75	98	95	125
BT50-FMA50.8-75	99	95	150
BT60-FMA25.4-105	125	85	80
BT60-FMA31.75-105	127	85	100
BT60-FMA38.1-75	98	95	125
BT60-FMA50.8-75	99	95	150



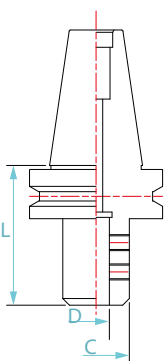
**Drilling ( Collect Type ) Tool Holders**

Taper	L	Capacity	Collet Type
BT50-ER20-100	100	1-13	ER20
BT50-ER32-100	100	2-20	ER32
BT50-ER40-100	100	3-26	ER40
BT60-ER20-100	100	1-13	ER20
BT60-ER32-100	100	2-20	ER32
BT60-ER40-100	100	3-26	ER40



**Boring Tool Holders**

Taper	L	D
BT50-BSA62-300	300	62 ~ 90
BT50-BSA72-320	320	72 ~ 110
BT50-BSA105-195	195	105 ~ 160
BT60-BSA62-300	300	62 ~ 90
BT60-BSA72-320	320	72 ~ 110
BT60-BSA105-195	195	105 ~ 160



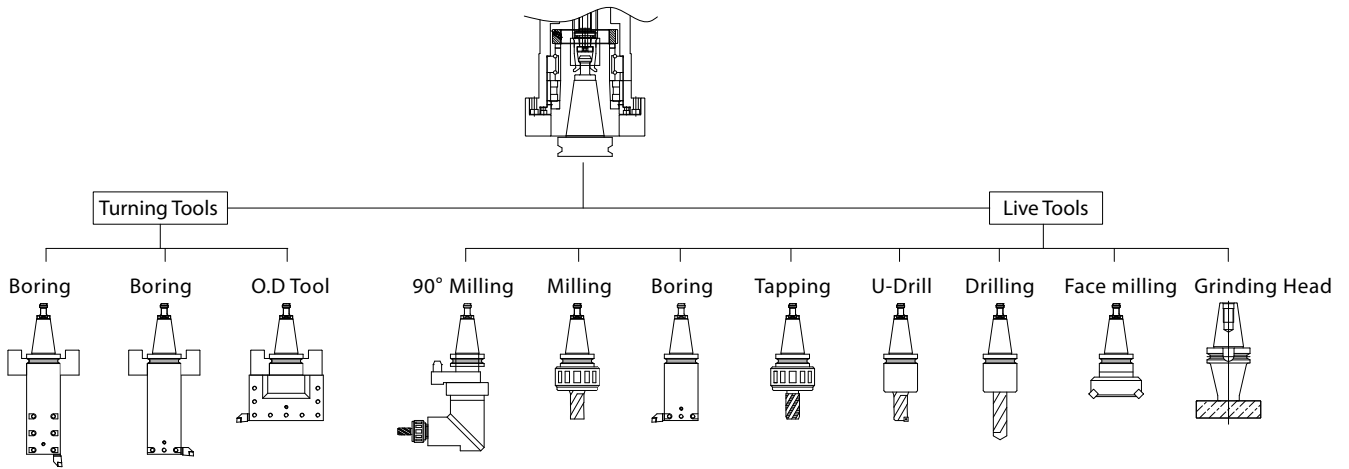
**Drilling ( Side Lock ) Tool Holders**

Taper	L	C	D
BT50-SLA20-105	105	50	20
BT50-SLA25-105	105	55	25
BT50-SLA32-105	105	60	32
BT50-SLA40-105	105	80	40
BT50-SLA50.8-105	105	95	50.8
BT60-SLA20-105	105	50	20
BT60-SLA25-105	105	55	25
BT60-SLA32-105	105	60	32
BT60-SLA40-105	105	80	40
BT60-SLA50.8-105	105	95	50.8

# GENERAL DIMENSION

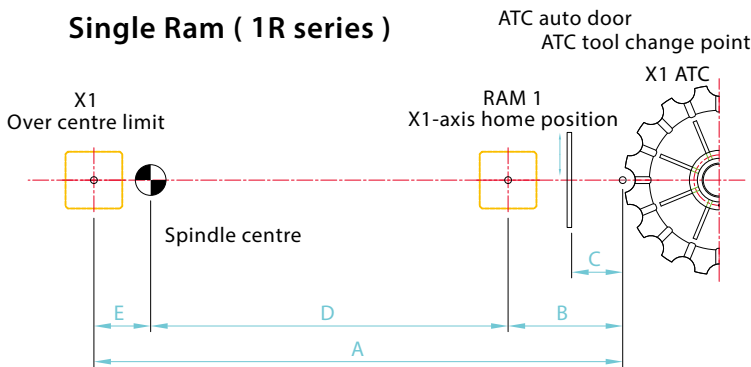
Unit : mm

## Tooling System



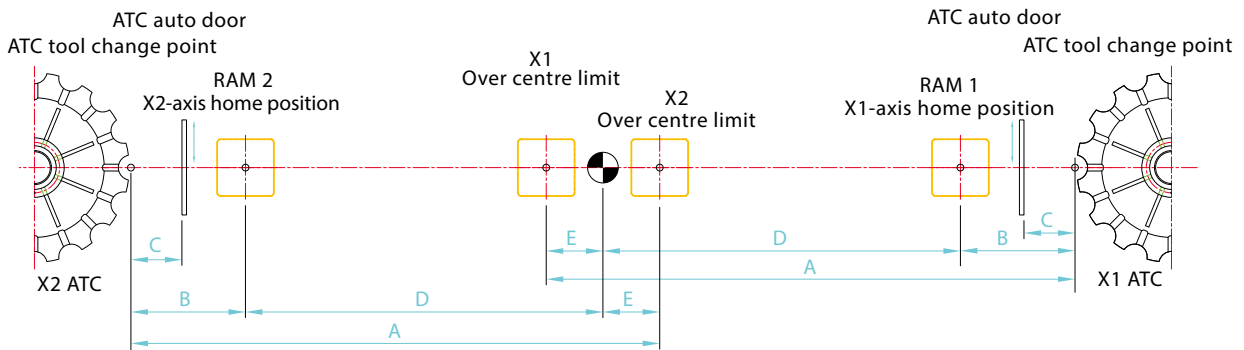
## X-axis Travel

### Single Ram ( 1R series )



Model	A	B	C	D	E
GV-2000	2,830	705	225	1,125	1,000
GV-2500	3,080	705	225	1,375	1,000
GV-3000	3,950	500	230	1,950	1,500
GV-3500	4,450	500	230	2,200	1,750
GV-4000	4,950	500	230	2,450	2,000
GV-4500	5,450	500	230	2,700	2,250
GV-5000	6,435	740	290	3,195	2,500
GV-6000	7,435	740	290	3,695	3,000
GV-7000	8,635	740	290	4,195	3,700
GV-8000	9,735	740	290	4,695	4,300

### Dual ram ( 2R series )

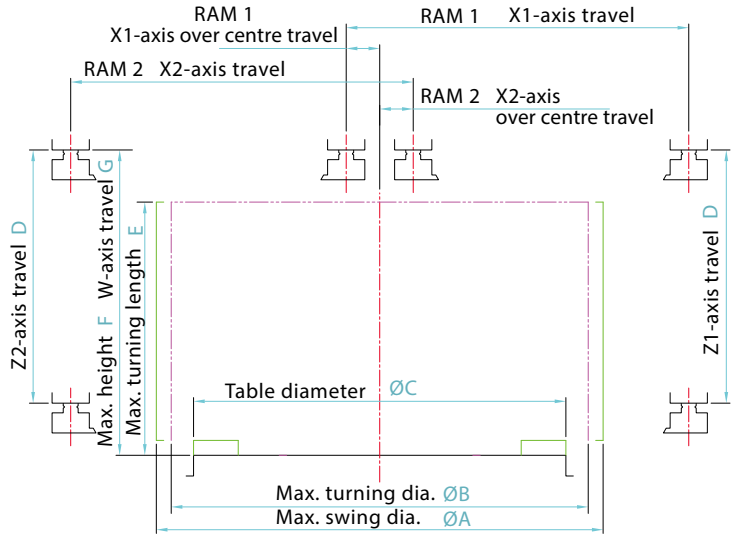
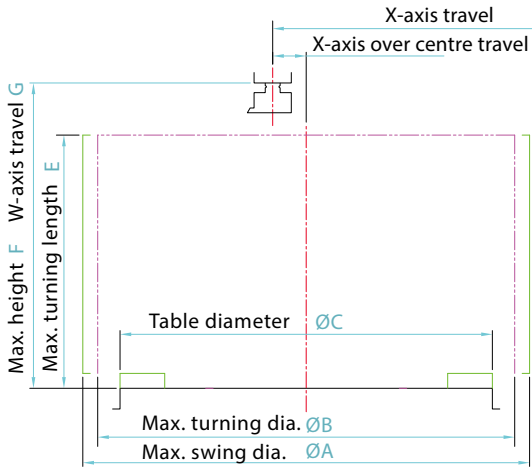


Model	A	B	C	D	E
GV-2000-2R	2,080	680	225	1,150	250
GV-2500-2R	2,330	680	225	1,400	250
GV-3000-2R	2,700	500	230	1,950	250
GV-3500-2R	2,950	500	230	2,200	250
GV-4000-2R	3,200	500	230	2,450	250
GV-4500-2R	3,450	500	230	2,700	250
GV-5000-2R	4,185	740	290	3,195	250
GV-6000-2R	4,685	740	290	3,695	250
GV-7000-2R	5,185	740	290	4,195	250
GV-8000-2R	5,685	740	290	4,695	250

**Working Range**

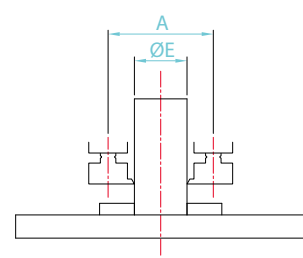
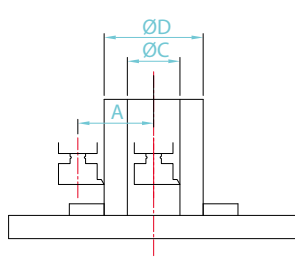
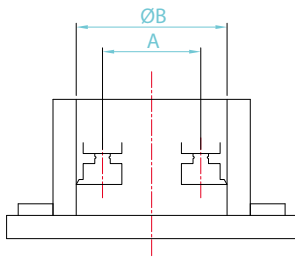
**Single Ram ( 1R series )**

**Dual ram ( 2R series )**



Model	A	B	C	D	E*1	F*1	G*1
GV-2000	2,500	2,300	2,000	1,200	1,700	2,050	1,200
GV-2500	3,000	2,800	2,500	1,200	1,700	2,050	1,200
GV-3000	3,700	3,500	3,000	1,500	1,600	2,080	1,200
GV-3500	4,200	4,000	3,500	1,500	1,600	2,080	1,200
GV-4000	4,700	4,500	4,000	1,500	1,600	1,960	1,200
GV-4500	5,200	5,000	4,500	1,500	1,600	1,910	2,400
GV-5000	6,400	6,000	5,000	1,600	3,200	3,570	2,400
GV-6000	7,500	7,000	6,000	1,600	3,200	3,570	2,400
GV-7000	9,000	8,500	7,000	1,600	3,400	3,875	2,400
GV-8000	9,500	9,000	8,000	1,600	3,400	3,875	2,400

\*1 Change upon customer's requested



Model	A	B	C	D	E
GV-2000-2R	1,300	1,600	360	2,300	1,000
GV-2500-2R	1,300	1,600	360	2,300	1,000
GV-3000-2R	1,400	1,700	400	2,500	1,100
GV-3500-2R	1,400	1,700	400	2,500	1,100
GV-4000-2R	1,400	1,700	400	2,500	1,100
GV-4500-2R	1,400	1,700	400	2,500	1,100
GV-5000-2R	1,900	2,430	530	3,300	1,400
GV-6000-2R	1,900	2,430	530	3,300	1,400
GV-7000-2R	2,000	2,530	530	3,470	1,470
GV-8000-2R	2,000	2,530	530	3,470	1,470

Specifications are subject to change without notice.

For more information, contact Hillary Machinery

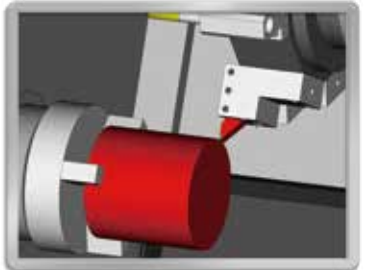
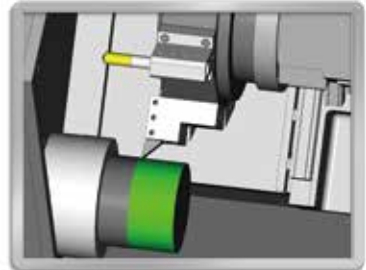
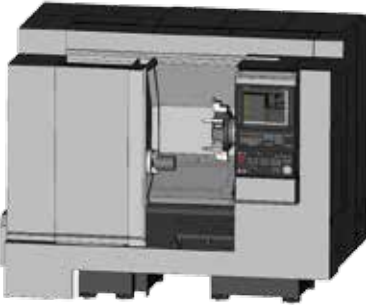


# G.LINC 350

Advanced hardware combined with intelligent software, makes your machine smarter

## SVI Inspection

Brand New Inspection Strategy for Safer and More Efficient Working Experience (Optional)



Create Simulation

Simulation Inspection

Interference Inspection

General Production Process

Setting

Test-Run

Actual Production

Using 3D Simulation Inspection

Setting

Test-Run

Actual Production

Utilization Rate **30 %**

The 3D simulation inspection can greatly reduce test-run time and improve overall utilization rate

For more information, contact Hillary Machinery at (877)902-3751 or [www.hillaryinc.com](http://www.hillaryinc.com)

# NEW GENERATION INTELLIGENT CONTROL SYSTEM

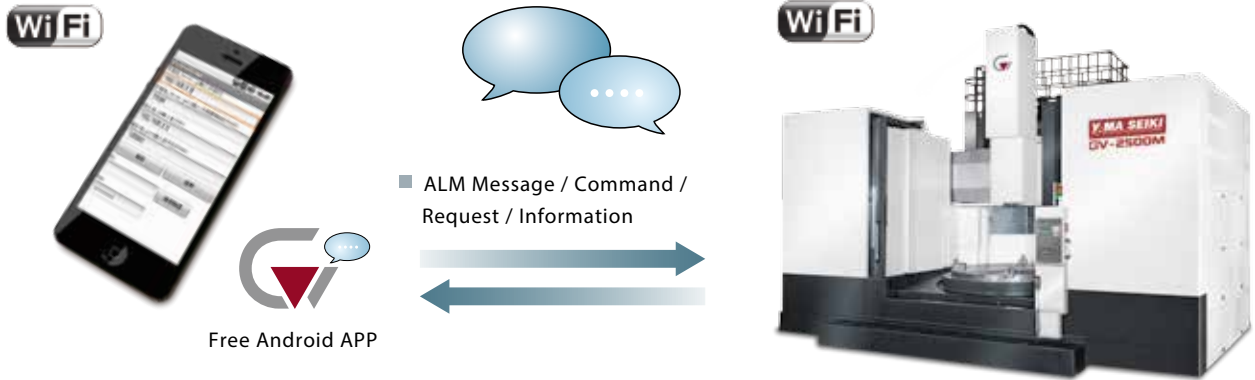
## Features

- Advanced Hardware
- Outstanding Operability
- Streamlined Programming
- High Security and Shortened Machining Setting
- Reliable Continuous Operation
- Shortened Troubleshooting Time
- Improved Utilization Rate



## MT-Line Messages

Monitoring machine condition in real time



## High Intelligent Machine Control

- 3D Check
- Tool Management
- Senesor Status
- Load Monitor
- Tool Build
- Alarm Detail
- Productive Management
- Position Screen



# MACHINE SPECIFICATIONS

CAPACITY	GV-2000	GV-2500	GV-3000	GV-3500
Table diameter	Ø 2,000 mm	Ø 2,500 mm	Ø 3,000 mm	Ø 3,500 mm
Max. swing diameter	Ø 2,500 mm	Ø 3,000 mm	Ø 3,700 mm	Ø 4,200 mm
Max. turning diameter	Ø 2,300 mm	Ø 2,800 mm	Ø 3,500 mm	Ø 4,000 mm
Max. turning height	1,700 / 2,100 mm		1,600 / 2,400 / 3,200 mm	
Max. table load	10,000 Kg	15,000 Kg	20,000 / 45,000 Kg	20,000 / 45,000 Kg
<b>WORK-PIECE SPINDLE</b>				
Spindle bearing diameter	Ø 912 mm	Ø 1,180 mm	Bear / Hydrostatic ( Opt. )	
Motor output ( cont. / 30 min. )	60 / 75 kW		( 40 / 66 kW ) x 2 [ Opt. ( 60 / 84 kW ) x 2 ]	
Spindle drive system	2-step gear box			
Spindle speed range	1 ~ 200 rpm	1 ~ 160 rpm	1 ~ 120 / 1 ~ 80 rpm ( Hydrostatic )	
Max. spindle torque	59,700 N-m	74,140 N-m	169,700 N-m	
<b>TOOLING SPINDLE ( OPTIONAL )</b>				
Motor output ( cont. / 30 min. )	11 / 15 kW		15 / 20.5 kW ( Opt. 17 / 22.5 kW )	
Spindle speed range	1 ~ 2,400 rpm			
<b>Cf-AXIS ( OPTIONAL )</b>				
Cf-axis servo motor output	5.5 kW		—*1	
Cf-axis speed range	6 rpm		—*1	
Cf-axis torque output	12,600 N-m	16,200 N-m	—*1	
<b>X &amp; Z AXES</b>				
Max. X-axis travel	2,830 mm	3,080 mm	3,950 mm	4,450 mm
Max. Z-axis travel	1,200 / 1,500 mm		1,500 / 1,800 mm	
X / Z axes rapids	10 / 10 m/min		6 / 10 m/min	
X / Z axes motor output	6 kW		8.2 kW	
<b>W-AXIS</b>				
Max. W-axis travel	1,200 / 1,600 mm		1,200 / 2,000 / 2,800 mm	
W-axis rapids	200 mm/min		150 mm/min	
<b>ATC</b>				
Magazine capacity	16 T			
Spindle taper	BT50		BT50 ( BT60 Opt. )	
Max. tool size ( W x T x L )	280 x 150 x 400 mm		280 x 150 x 400 mm	
Max. tool weight	50 Kg		50 Kg	
Max. magazine load	360 Kg		800 Kg	
<b>GENERAL</b>				
Positioning accuracy	±0.007 / 500 mm			
Repeatability	±0.005 mm			
Standard CNC control	FANUC Oi -TD		SIEMENS SINUMERIK 840D sl	
Voltage requirement	AC400/440+10%to-15%3 phase			
Hydraulic capacity	130 L			
Coolant tank capacity	1,000 L	1,200 L	2,500 L	
Machine weight	50,000 Kg	55,000 Kg	70,000 Kg	90,000 Kg
Machine Dimensions ( H )	6,895 mm	6,895 mm	7,600 mm	7,600 mm
Machine Dimensions ( L x W )	7,040 x 4,610 mm	7,540 x 4,610 mm	9,500 x 8,500 mm	10,000 x 9,000 mm

\*1 The series are designed with Cs-axis.

Specifications are subject to change without notice.

GV-4000	GV-4500	GV-5000	GV-6000	GV-7000	GV-8000
Ø 4,000 mm	Ø 4,500 mm	Ø 5,000 mm	Ø 6,000 mm	Ø 7,000 mm	Ø 8,000 mm
Ø 4,700 mm	Ø 5,200 mm	Ø 6,400 mm	Ø 7,400 mm	Ø 9,000 mm	Ø 9,500 mm
Ø 4,500 mm	Ø 5,000 mm	Ø 6,000 mm	Ø 7,000 mm	Ø 8,000 mm	Ø 9,000 mm
1,600 / 2,400 / 3,200 mm		2,400 / 3,200 / 4,000 mm		2,600 / 3,400 / 4,200 / 5,000 mm	
30,000 / 60,000 Kg		100,000 Kg	150,000 Kg	250,000 Kg	300,000 Kg
Bear / Hydrostatic ( Opt. )		Hydrostatic			
( 40 / 66 kW ) x 2 [ Opt. ( 60 / 84 kW ) x 2 ] [ Opt. ( 100 / 140 kW ) x 2 ]		( 60 / 84 kW ) x 2 [ Opt. ( 100 / 140 kW ) x 2 ]			
2-step gear box					
1 ~ 60 rpm		1 ~ 60 rpm	1 ~ 25 rpm	1 ~ 20 rpm	1 ~ 20 rpm
272,700 N-m		347,000 N-m	439,600 N-m	450,980 N-m	450,980 N-m
17 / 22.5 kW ( Opt. 22 / 30 kW )					
1 ~ 2,400 rpm					
—*1					
—*1					
—*1					
4,950 mm	5,450 mm	6,435 mm	7,435 mm	8,635 mm	9,735 mm
1,500 / 1,800 mm		1,600 / 2,000 mm		1,600 / 2,000 / 2,500 mm	
6 / 10 m/min					
8.2 kW					
1,200 / 2,000 / 2,800 mm		1,600 / 2,400 / 3,200 mm		1,600 / 2,400 / 3,200 / 4,000 mm	
150 mm/min					
16 T					
BT50 ( BT60 Opt. )		BT50 ( BT60 Opt. )			
280 x 150 x 400 mm		390 x 155 x 400 mm ( BT60 )			
50 Kg		50 / 80 ( BT60 ) Kg			
800 Kg		800 / 1,200 ( BT60 ) Kg			
±0.007 / 500 mm					
±0.005 mm					
SIEMENS SINUMERIK 840D sl					
AC400/440+10%to-15%3 phase					
130 L		350 L	350 L	350 L	350 L
2,500 L		2,500 L	3,500 L	6,800 L	6,800L
100,000 Kg	130,000 Kg	200,000 Kg	280,000 Kg	400,000 Kg	420,000 Kg
7,600 mm	7,600 mm	9,600 mm	11,000 mm	12,000 mm	12,000 mm
10,500 x 9,600 mm	11,000 x 10,000 mm	12,500 x 11,000 mm	20,000 x 12,000 mm	23,000 x 15,500 mm	23,000 x 15,500 mm

For more information, contact Hillary Machinery at (877)902-3751 or <https://www.hillaryinc.com>



YAMASEIKI.com

**YAMA SEIKI USA, INC.**

5788 Schaefer Ave., Chino, CA 91710

TEL : (888) 976-6789

(909) 628-5568

FAX : (909) 993-5378

E-mail : [sales@yamaseiki.com](mailto:sales@yamaseiki.com)

For more information, contact Hillary Machinery at (877)902-3751 or <https://www.hillaryinc.com>

Copyright 2015 by YAMA SEIKI USA, Inc. All right reserved  
Y-SUPER GV-EN-201503

For more information, contact Hillary Machinery at (877)902-3751 or [www.hillaryinc.com](http://www.hillaryinc.com)